

2018-11-06

REQUEST FOR TENDER
RFT #54 (2018-10)
AFRICAN SAVANNA VIEWING RAIL REPLACEMENT
ADDENDUM # 1

This addendum shall be incorporated into, and form part of RFT #54 (2018-10) and take precedence over all requirements of the previously issued bid documents including plans. This addendum must be signed by the bidder (signing officer) in the appropriate space and must be attached to the Form for submission by the bidder. This Addendum consists of four (4) pages and the documents listed below.

1. Delete drawings:

A2.01 VIEWING RAIL DETAILS

Replace with drawings:

Rev 1 – A2.01 VIEWING RAIL DETAILS

2. Clarification: Suppliers

Hand-peeled cedar rounds may be sourced from:

Richard Lutes Cedar Inc.
Box 275
Norwood, Ontario K0L2V0
Canada
Phone: (705) 639.5700
Email: don@richardlutescedar.com

Eucalyptus pickets may be sourced from:

Backyard Xscapes
890 Carter Road, Unit # 190
Winter Garden, FL. 34787
Phone: (407) 347-9551
Cell: (407) 761-7863
Email: anwar@backyardxscapes.com

Safari Thatch
7040 S.W. 21st Place
Davie, FL 33317
Phone: 954-564-0059
Email: info@safarithatch.com
East Coast Sales Office:
Todd Carone: 954 444 9188

Ama Zulu Inc
1239 Commons Court
Clermont, FL. 34711
Phone: 352-243-5309
Email: info@amazuluinc.com

3. Delete pricing form:
FORM 1 APPENDIX II
Replace with pricing form:
Rev 1 – FORM 1 APPENDIX II
UNIT PRICES (Due 24 hours after stipulated closing date)

All prices are to include the supply and installation of all labour, material, charges, taxes (excluding Harmonized Sales Tax), payroll, burden and profit.

ITEM	UNIT	ADD	DEDUCT
Unit price to add to contract for installation of new concrete footings for viewing rail posts with cast-in post saddles and cold patch asphalt repair.	EACH		
Unit price to add to or delete from contract for demolition of existing viewing rails (not including footings or post saddles):	FT		
Unit price to add to or delete from contract for installation of new viewing rails (not including footings or post saddles), with <u>hand-peeled cedar:</u>	FT		
Unit price to add to or delete from contract for installation of new viewing rails (not including footings or post saddles), with <u>machine-peeled cedar:</u>	FT		

4. Delete pricing form:**FORM 1 APPENDIX V****Replace with pricing form:****Rev 1 – FORM 1 APPENDIX V****ALTERNATIVE PRICES (Due 24 hours after stipulated closing date)****(not included in Bulk Tender Price)**

All prices are to include the supply and installation of all labour, material, taxes (excluding Harmonized Sales Tax), charges, payroll, burden and profit.

Item	Description	Add or Deduct From Base Bid Price
-------------	--------------------	--

1. Complete all work as described in the contract documents using **machine-peeled cedar** only in viewing rail construction.

5. Delete:**SECTION II – FORMS
COMMENCEMENT AND COMPLETION OF WORK**

8.0 If the offer set out in this Tender Form is accepted:

(i) the Tenderer will complete the Work fully, and surrender control of the site to the Board of management of the Toronto Zoo no later than **Friday, 2018-12-21** for all work.**Replace with:****SECTION II – FORMS
COMMENCEMENT AND COMPLETION OF WORK**

8.0 If the offer set out in this Tender Form is accepted:

(i) the Tenderer will complete the Work fully, and surrender control of the site to the Board of management of the Toronto Zoo no later than **Friday, 2018-12-21** for all work.

(a) If the Tenderer cannot guarantee completion of the Work by the above date, include a proposed alternative completion date below:

The Tenderer will complete the Work fully, and surrender control of the site to the Board of management of the Toronto Zoo no later than

for all work.

6. **Clarification:**

SECTION I – INSTRUCTIONS TO BIDDERS

1.2.16 “Inspector” means an inspector for the Board acting under the direction of the Chief Operating Officer.

1.2.17 “Inspection Costs” shall mean the payroll costs of the Board’s inspectors plus overhead, or in the case where a consulting engineer is employed, the charges rendered for his/her services to the Board.

There shall be no inspection costs applicable to this project.

Receipt of the Addendum shall be acknowledged as part of your submission.

The Board of Management of the Toronto Zoo reserves the right to reject any or all Quotations or to accept any quotation, should it deem such action to be in its interests.

If you have any queries regarding this matter, please contact Mr. Peter Vasilopoulos, Supervisor, Purchasing & Supply, at 416-392-5916.

Yours truly,

Peter Vasilopoulos
Supervisor, Purchasing & Supply

I/we hereby acknowledge receipt of this addendum and make allowance in my bid.

Signed (Must be Signing Officer of Firm)

Name of Firm

Date

END OF ADDEDNUM 1

NO.	DESCRIPTION	DATE
0	FOR TENDER	2018.10.15
1	FOR ADDENDUM 1	2018.11.06

NO.	REVISIONS	DATE
-----	-----------	------

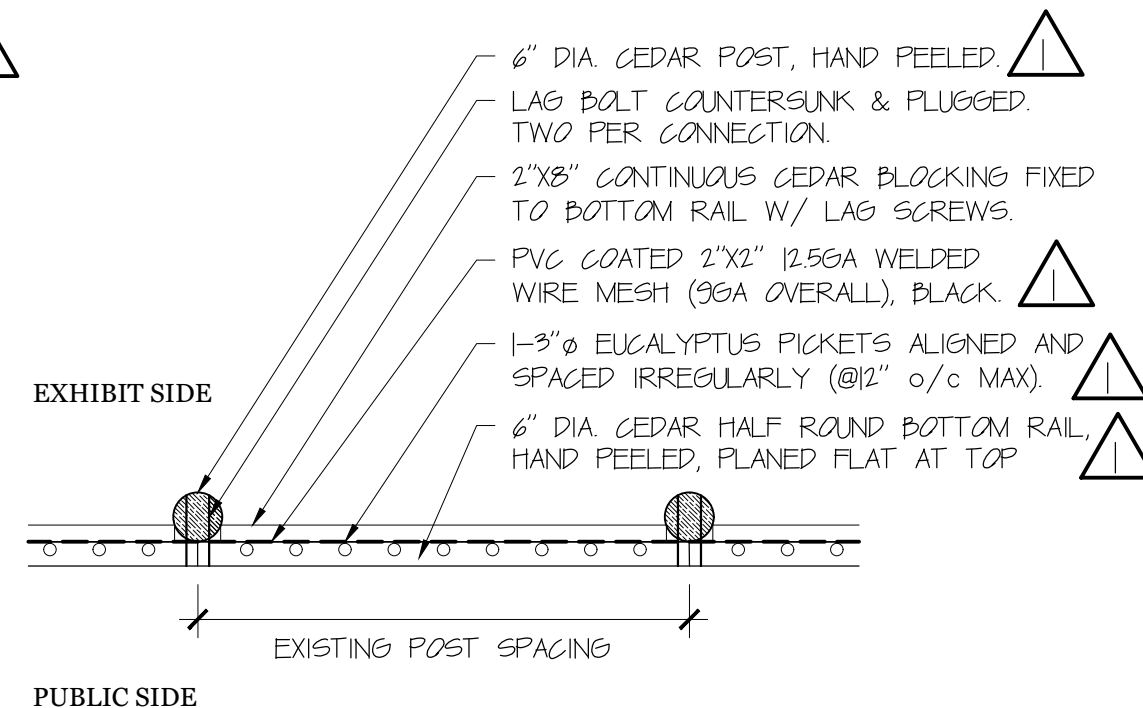
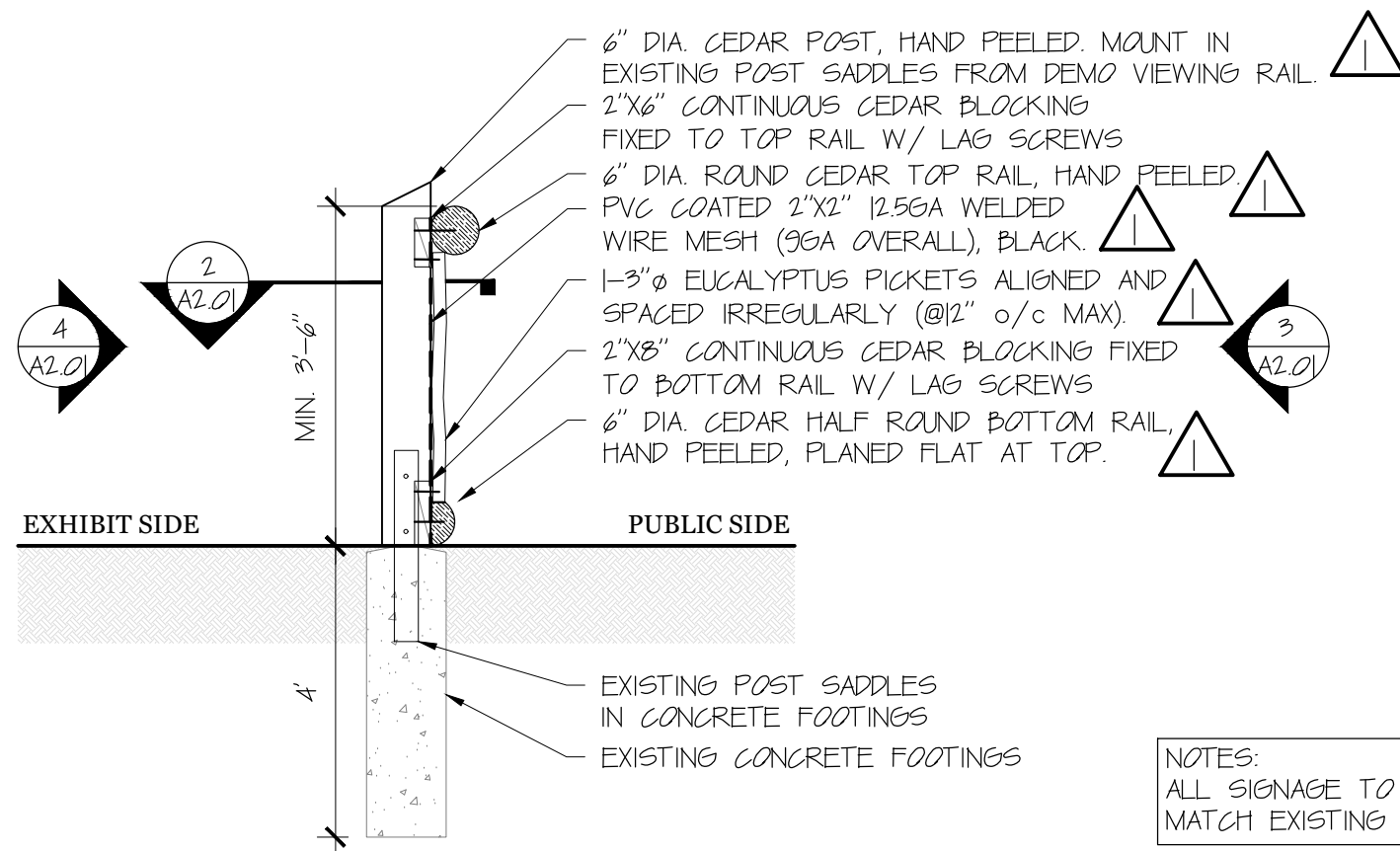
SAVANNA
VIEWING RAIL
REPLACEMENT

REVIEWED BY
MANAGER:
DATE:
CURATOR:
DATE:
APPROVED BY
COO:
DATE:

VIEWING RAIL
DETAILS

PROJECT #: CAPITAL
DRAWN BY: DG
CHECKED BY: BK
DATE: 2018.10.15
SCALE: 1/2" = 1'-0"

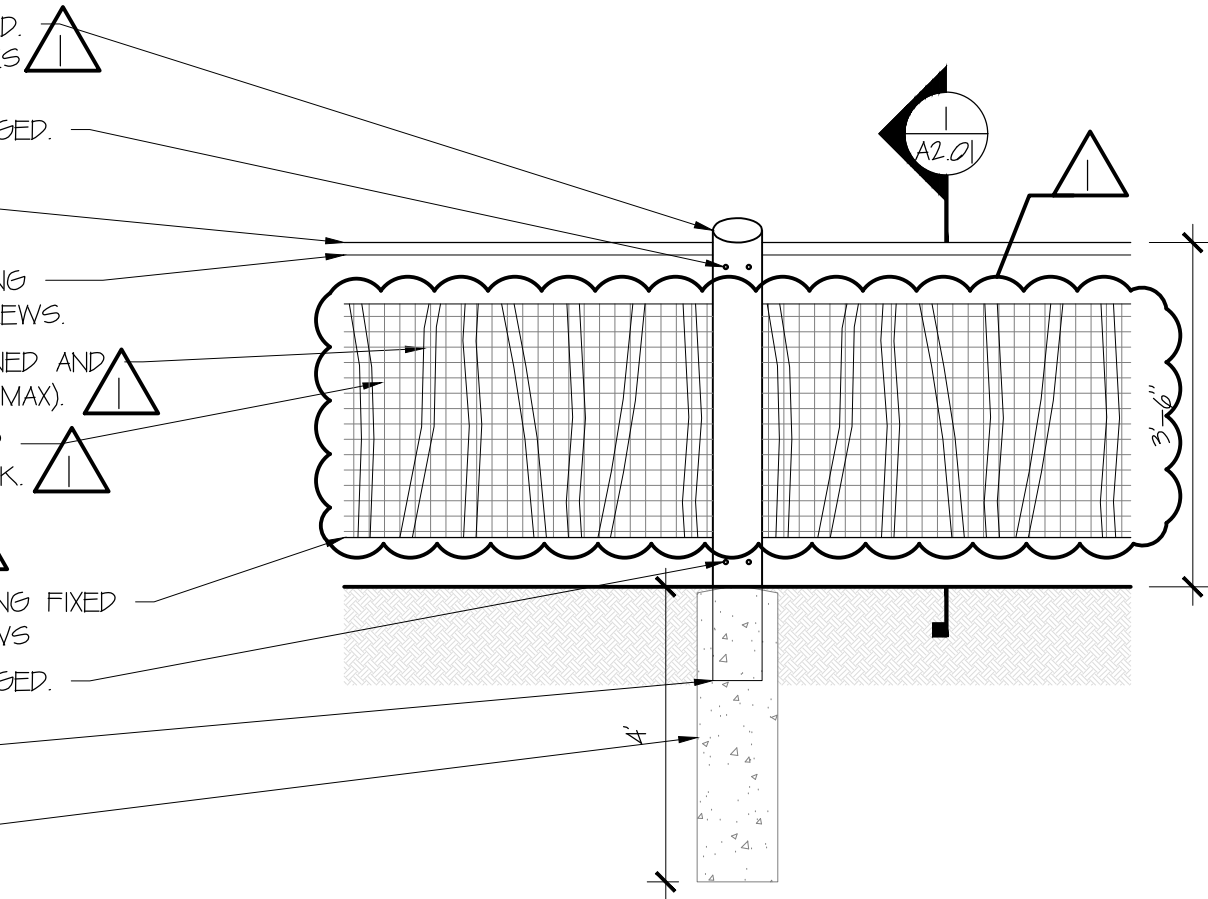
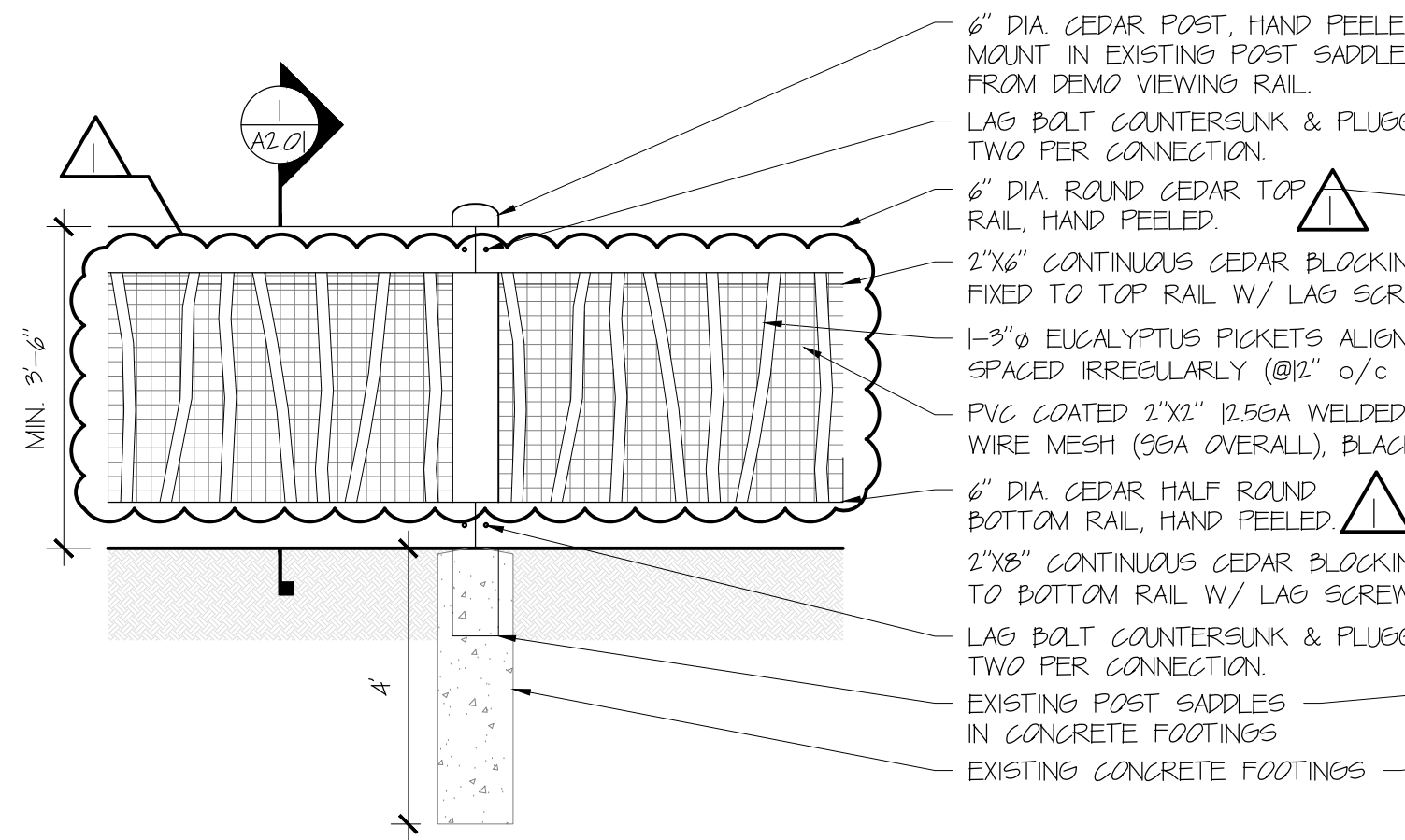
DRAWING #:
A2.01



NOTES:
ALL SIGNAGE TO BE REMOVED AND REPLACED ON NEW VIEWING RAILS IN SAME LOCATION.
MATCH EXISTING FASTENERS. TOP RAIL SHALL BE NOTCHED TO FIT INFOGRAPHIC PLAQUES.

1 SECTION
SCALE: 1/2" = 1'-0"

2 PLAN VIEW SECTION DETAIL
SCALE: 1/2" = 1'-0"



3 PUBLIC SIDE ELEVATION
SCALE: 1/2" = 1'-0"

4 EXHIBIT SIDE ELEVATION
SCALE: 1/2" = 1'-0"